



Benchmark Tables...
Tables you can build your practice around.

Exam/Therapy Tables

The Benchmark Series of exam/therapy tables delivers uncompromising durability, versatile features and affordable prices to any office looking for an entry level solution.

Standard Features

- Heavy duty steel frame
- Paper holder/cutter
- Durable powdercoat finish (black or white)
- Seamless cushions
- 2" high density foam thickness
- High impact feet levelers
- One year parts and labor warranty
- Face slot
- 18" storage shelf
- Tables may be shipped assembled or unassembled.

Options

- 24" wide cushions on (E9139)
- Customized heights and widths available
- Additional Foam densities and thickness available

Standard Table Dimensions

- **E9139** (28" wide x 78" long x 30" high)
 - working weight approx. ____lbs.
 - table weighs approx. ____lbs.
- **E9143** (28" wide x 78" long x 30" high)
 - working weight approx. ____lbs.
 - table weighs approx. ____lbs.
- **E9142** (28" wide x 80" long x 30" high)
 - working weight approx. ____lbs.
 - table weighs approx. ____lbs.

Standard Upholstery Colors

Upholstery is Premium Quality Doeskin Colors may vary by dye lot. If exact shade of color is critical for your application, a color sample can be provided.

Taupe		
Gray	Dark Saddle Brown	Forest Green
Charcoal Gray	Black	Black Cherry
Burgundy	Navy	Agate Blue



E9139



E9143



E9142

EUROTECH
FEEL THE DIFFERENCE

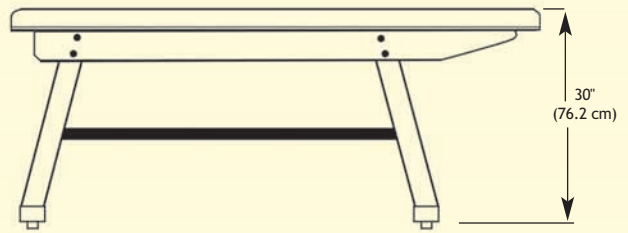
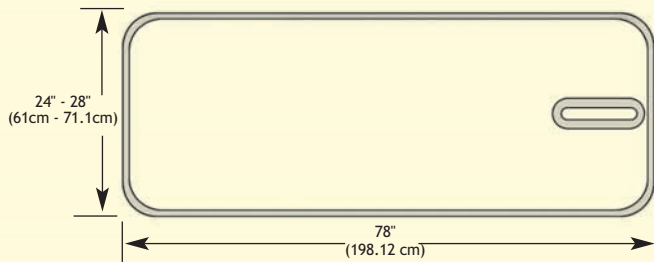
EUROTECH TABLES IS A DIVISION OF
PIVOTAL HEALTH SOLUTIONS



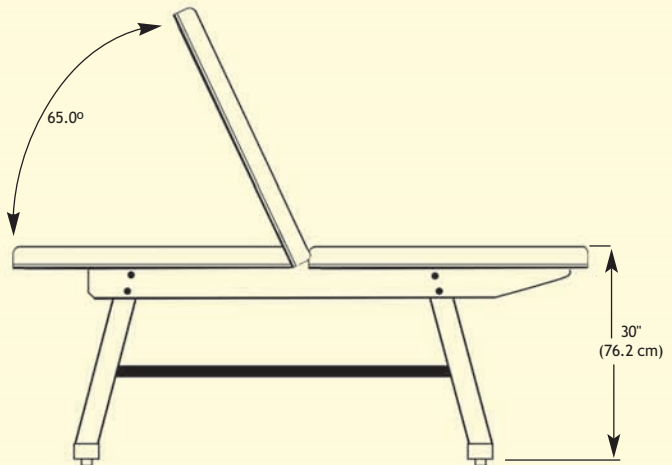
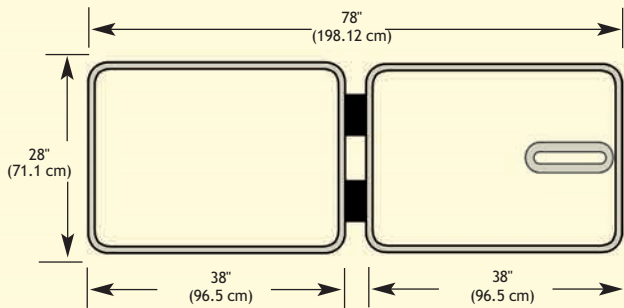
Benchmark Tables...
Tables you can build your practice around.

Exam/Therapy Table Specifications

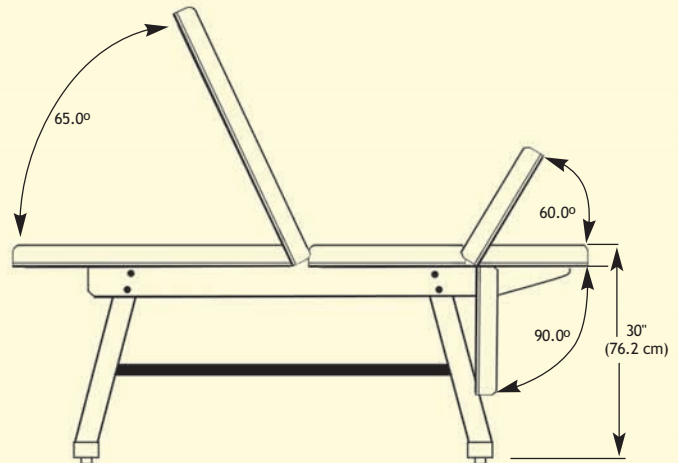
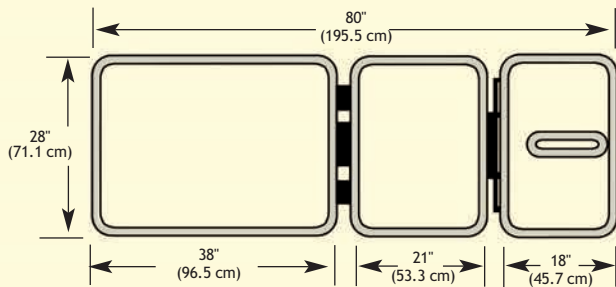
Single Section, E9139



Double Section, E9143



Triple Section, E9142



EUROTECH
FEEL THE DIFFERENCE

EUROTECH TABLES IS A DIVISION OF PIVOTAL HEALTH SOLUTIONS

EUROTECH MANUFACTURING | 1521 9TH AVE SE SUITE 3 | WATERTOWN, SD 57201-3960 | WWW.EUROTECHTABLES.COM | 800-743-7738 | FAX 605-882-8398